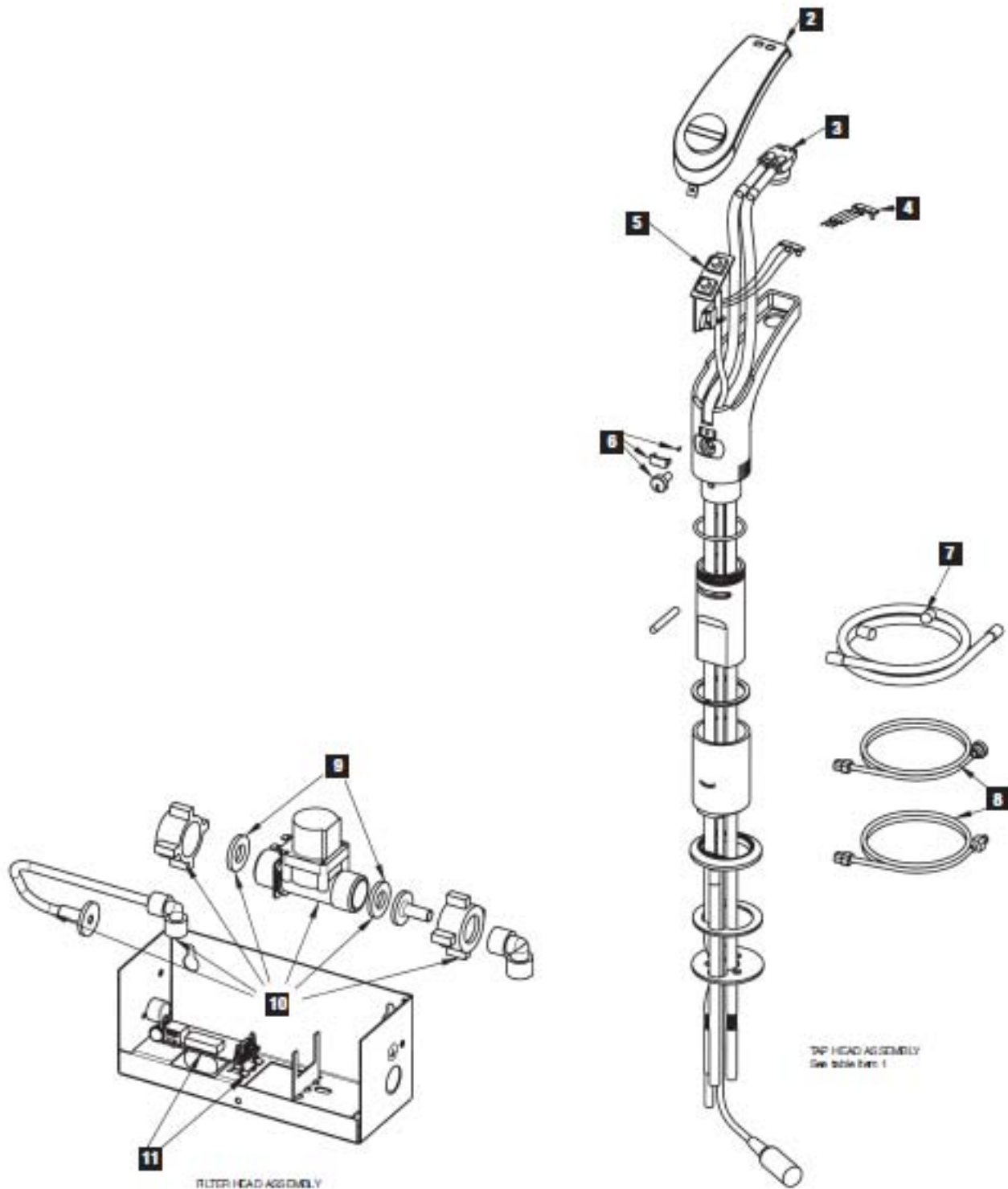


Zip Hydrotaps B/C, B/A, C/A from 1997 to June 1999 Tap Heads and Filters



Zip Hydrotaps B/C, B/A, C/A from 1997 to June 1999

Tap Heads and Filters

Head Assembly Electronic

Item	Pt No.	Description
1	90152	Tap Complete White H/Tap B/C
1	90154	Tap Complete Chrome H/Tap B/C
1	90153	Tap Complete White H/Tap C/A
1	90155	Tap Complete Chrome H/Tap C/A
1	90429	Tap Complete S/Chrm H/Tap B/C
1	90466	Tap Complete S/Chrm H/Tap C/A

Head Assembly Parts

2	90037	Tap Top Kit White H/Tap B/C
2	90038	Tap Top Kit Chrome H/Tap B/C
2	90039	Tap Top Kit White H/Tap C/A
2	90040	Tap Top Kit Chrome H/Tap C/A
2	90467	Tap Top Kit S/Chrm H/Tap B/C
2	90468	Tap Top Kit S/Chrm H/Tap C/A
3	90034	Nozzle & Tubes Kit H/T Tap
4	90032	LED Old Replacement Kit H/Tap
4	90061	LED New Replacement Kit H/Tap
5	90033	PCB & Lead Kit H/T Tap B/C&B/A
6	90060	Safety Button Covr & Screw Kit
7	90094	Loom Harness Kit Hydrotap
8	90095	Flex & Plug Kit Hydrotap 240v
	90003	Fittings Kit H/Tap/Filter

Filter Head Assembly Parts and Accessories

9	90011	Solenoid Washer Kit Hydrotap
10	90010	Solenoid Kit B/A C/A Tap
11	90004	PCB & Stand Off Kit H/T Filter
	90346	Surge Protection Kit H/T
	90347	Tee 1/2 x 1/4" Kit H/T "

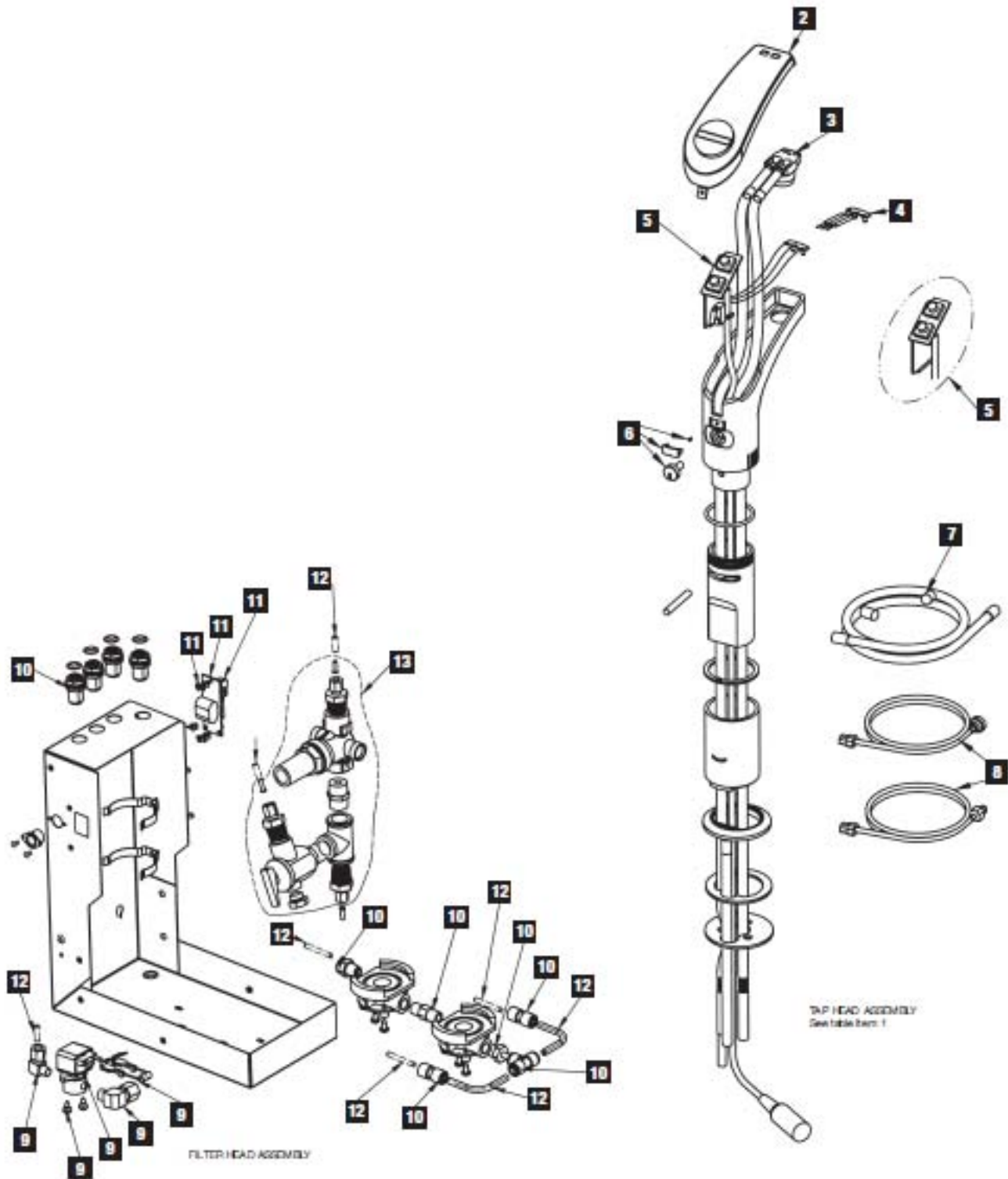
Accessories

	99045	Hydrotap Tray Kit Small Model
	99046	Hydrotap Tray Kit Medium Model
	99047	Hydrotap Tray Kit Large Model

Replacement Filter Cartridges

	52000	Five Micron Double Action 150mm
	53000	Five Micron Triple Action 150mm

Zip Hydrotaps B/C, B/A, C/A from June 1999 to December 2000 Tap Heads and Filters



Zip Hydrotaps B/C, B/A, C/A from June 1999 to December 2000

Tap Heads and Filters

Head Assembly Electronic

Item	Pt No.	Description
1	90152	Tap Complete White H/Tap B/C
1	90154	Tap Complete Chrome H/Tap B/C
1	90153	Tap Complete White H/Tap C/A
1	90155	Tap Complete Chrome H/Tap C/A
1	90429	Tap Complete S/Chrm H/Tap B/C
1	90466	Tap Complete S/Chrm H/Tap C/A

Head Assembly parts

2	90037	Tap Top Kit White H/Tap B/C
2	90038	Tap Top Kit Chrome H/Tap B/C
2	90039	Tap Top Kit White H/Tap C/A
2	90040	Tap Top Kit Chrome H/Tap C/A
2	90467	Tap Top Kit S/Chrm H/Tap B/C
2	90468	Tap Top Kit S/Chrm H/Tap C/A
3	90034	Nozzle & Tubes Kit H/T Tap
4	90061	LED New Replacement Kit H/Tap
5	90033	PCB & Lead Kit H/T Tap B/C&B/A
5	90471	PCB & Lead Kit H/Tap C/A
6	90060	Safety Button Covr & Screw Kit
7	90094	Loom Harness Kit Hydrotap
8	90095	Flex & Plug Kit Hydrotap 240v

Filter Head Assembly Parts and Accessories

9	90463	Solenoid Kit H/Tap S/M Tap C/A
9	90472	Solenoid Kit H/Tap S/M Tap B/A
10	90459	Fittings Kit H/Tap S/M Tap/Fit
11	90460	PCB Timer & S/Off Kit H/T S/Mc
12	90464	Tube Fitting Kit H/Tap S/M Tap
13	90461	Valve Assy Kit H/T S/M Tap/Fit

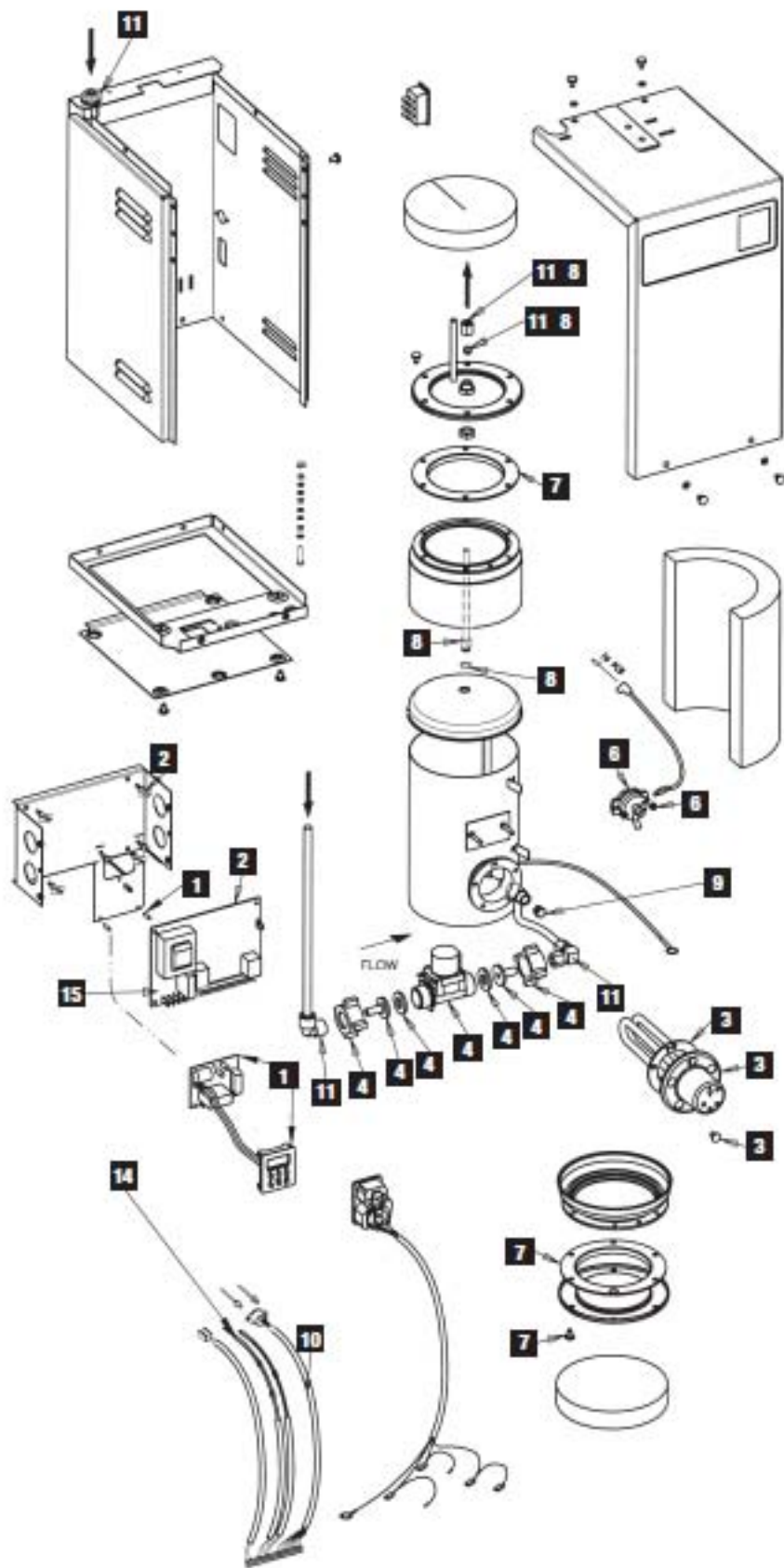
Accessories

99045	Hydrotap Tray Kit Small Model
99046	Hydrotap Tray Kit Medium Model
99047	Hydrotap Tray Kit Large Model

Replacement Filter Cartridges

51000	Five Micron Pre-Filter 150mm
58000	Sub-Micron - Triple Action

Zip Hydrotap Boiling Unit from 1997 to June 1999
Models HTB10, HTB30, HTB60.



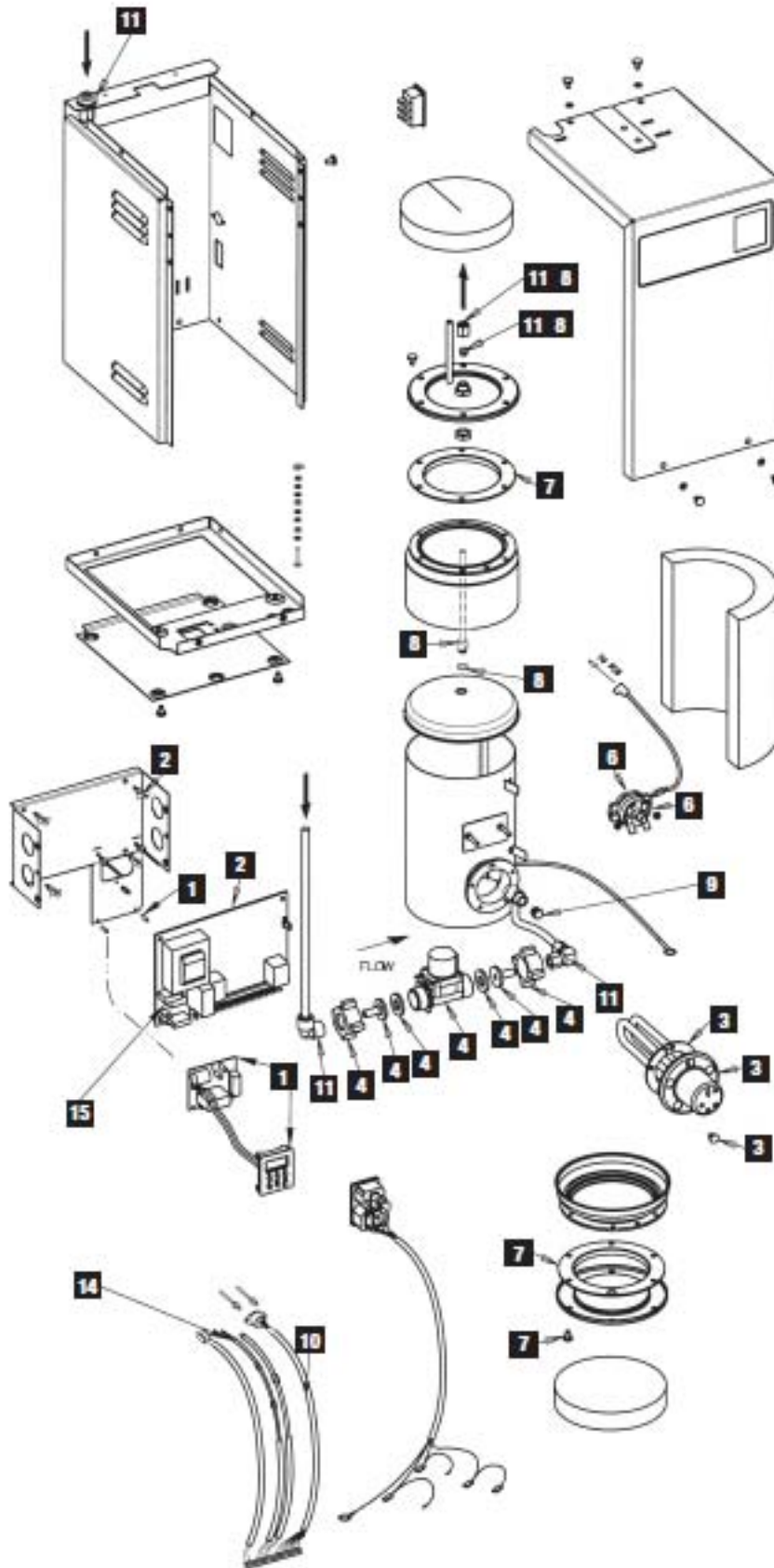
Zip Hydrotap Boiling Unit from 1997 to June 1999 Models HTB10, HTB30, HTB60.

Item	Pt No.	Description
1	90042	PCB & Timer Kit Hydrotap HTB
2	90044	PCB Kit & Stand Offs H/Tap HTB
3	90356	Element Kit 1500w HTB
3	90357	Element Kit 2000w HTB
4	90009	Solenoid Kit HTB HTC B/C Tap
5	90011	Solenoid Washer Kit Hydrotap
6	90043	Overload Kit 1 Pole With Nuts
7	90053	Fittings Kit HTB TT
8	90027	Venturi Kit Hydrotap Tea Tap
9	90047	Drain Plug Kit HTB Tea Tap
10	90049	Control Cable Kit Hydrotap HTB
11	90052	Gasket & Screw Kit HTB TT
12	90050	Power Flex Kit Hydrotap HTB
13	90051	Fill Switch Kit Hydrotap HTB
14	90475	Sensor Probe Kit Boiling Units
15	90457	Qty 5 Fuse Kit PCB H/T B/C B/A

Accessories

99045	Hydrotap Tray Kit Small Model
99046	Hydrotap Tray Kit Medium Model
99047	Hydrotap Tray Kit Large Model

Zip Hydrotap Boiling Unit from June 1999 to December 2000
Models HTB10, HTB30, HTB45, HTB60.



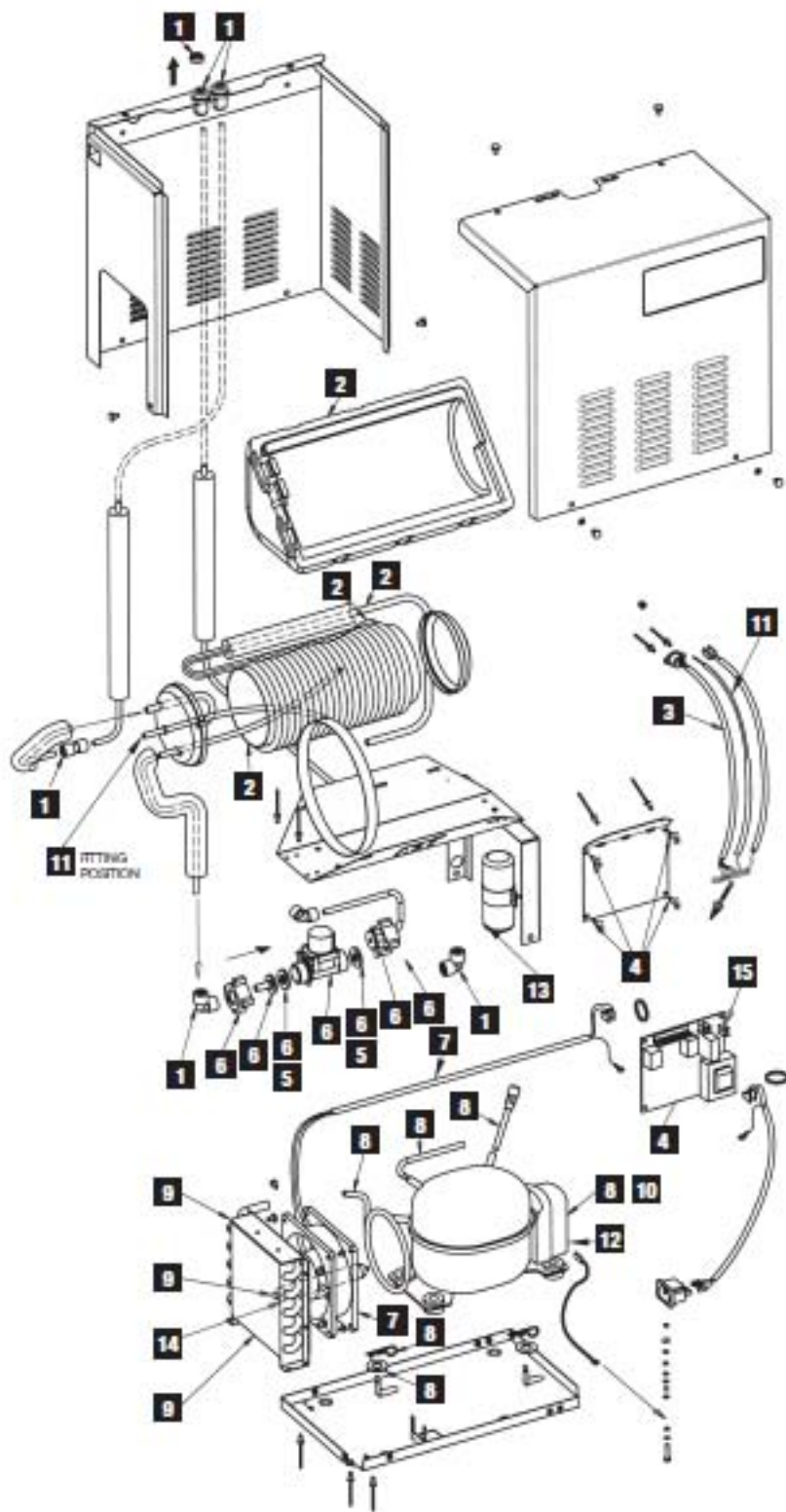
Zip Hydrotap Boiling Unit from June 1999 to December 2000 Models HTB10, HTB30, HTB45, HTB60.

Item	Pt No.	Description
1	90042	PCB & Timer Kit Hydrotap HTB
2	90044	PCB Kit & Stand Offs H/Tap HTB
3	90356	Element Kit 1500w HTB
3	90357	Element Kit 2000w HTB
4	90009	Solenoid Kit HTB HTC B/C Tap
5	90011	Solenoid Washer Kit Hydrotap
6	90462	Overload Kit 2 Pole With Nuts
7	90052	Gasket & Screw Kit HTB TT
8	90027	Venturi Kit Hydrotap Tea Tap
9	90047	Drain Plug Kit HTB Tea Tap
10	90049	Control Cable Kit Hydrotap HTB
11	90053	Fittings Kit HTB TT
12	90050	Power Flex Kit Hydrotap HTB
13	90051	Fill Switch Kit Hydrotap HTB
14	90475	Sensor Probe Kit Boiling Units
15	90457	Qty 5 Fuse Kit PCB H/T B/C B/A

Accessories

99045	Hydrotap Tray Kit Small Model
99046	Hydrotap Tray Kit Medium Model
99047	Hydrotap Tray Kit Large Model

Zip Hydrotap Chilling Units from 1997 to December 2000.
Models HTC30, HTC60, HTC140.



Zip Hydrotap Chilling Units from 1997 to December 2000. Models HTC30, HTC60, HTC140.

Chilling unit Parts 30,60,140 Cups

Item	Pt No.	Description
1	90025	Fittings Kit HTC 30/60/140
3	90036	Probe & 7 Pin Cable Kit HTC
4	90031	PBC + Stand Off Kit H/Tap HTC
5	90011	Solenoid Washer Kit Hydrotap
6	90009	Solenoid Kit HTB HTC B/C Tap
7	90018	Fan Flex Motor Kit CT/HT30-60
7	90019	Fan Motor Kit FS CT/HT140
9	90012	Condenser & Cowl Kit 1/20HP suit
9	90013	Condenser & Cowl Kit 1/12HP suit Kirby Compressor AZ33
9	90014	Condenser & Cowl Kit 1/4&1/5HP Kirby AE8/AE9 & Danfoss FR8.5G
11	90068	Sensor Probe Kit Chilling Unit
14	90442	Filter Dryer Kit CW All Models
15	90457	Qty 5 Fuse Kit PCB H/T B/C B/A

Evaporators

2	90028	Evaporator Kit 1/12HP to suit Kirby Compressor AZ33
2	90029	Evaporator Kit 1/5 & 1/4 suit Kirby AE8/AE9 & Danfoss FR8.5G
2	90030	Evaporator Kit 1/20HP to suit Danfoss Compressor PL50

Compressors

8	90021	Compressor Kit Danfoss PL50
8	90022	Compressor Kit Kirby AZ33
8	90023	Compressor Kit Danfoss FR8.5G Replaces Kirby AE9MHY

Compressor overloads and relays

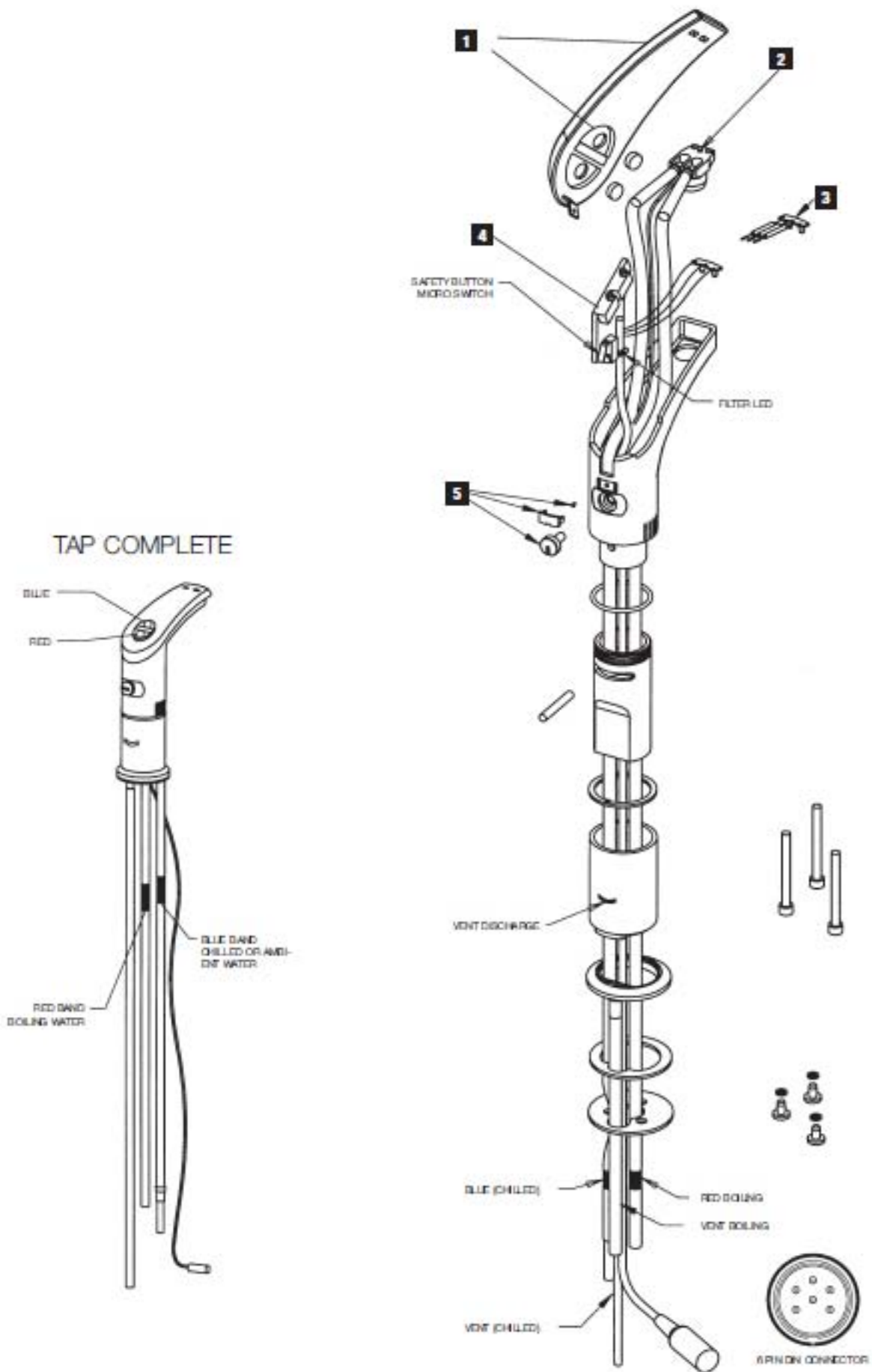
10	90091	Overload Kit 1/12HP to suit Kirby Compressor AZ33
10	90092	Relay Kit 1/20HP to suit Danfoss Compressor PL50
10	90093	Overload Kit 1/4HP to suit Kirby Compressor AE9MHY
12	90433	Relay Kit 1/12HP to suit Kirby Compressor AZ33
12	90434	Relay Kit 1/4HP to suit Kirby Compressor AE9MHY

Compressor Starting Capacitors

13	90436	Capacitor Kit 1/4HP to suit Kirby Compressor AE9MHY
13	90437	Capacitor Kit 1/20HP to suit Danfoss Compressor PL50

Accessories

	99045	Hydrotap Tray Kit Small Model
	99046	Hydrotap Tray Kit Medium Model
	99047	Hydrotap Tray Kit Large Model



Zip hydrotap Model ABC Tap Unit from May 2000 to March 2004.

Head Assembly Electronic

Item	Pt No.	Description
	90518	Tap Complete Chrome A-I-O B/C

Head Assembly Parts

1	90037	Tap Top Kit White H/Tap B/C
1	90038	Tap Top Kit Chrome H/Tap B/C
1	90467	Tap Top Kit S/Chrm H/Tap B/C
2	90035	Nozzle Head Kit Assy A-I-O B/C
3	90061	LED New Replacement Kit H/Tap
4	90033	PCB & Lead Kit H/T Tap B/C&B/A
5	90060	Safety Button Covr & Screw Kit

Accessories

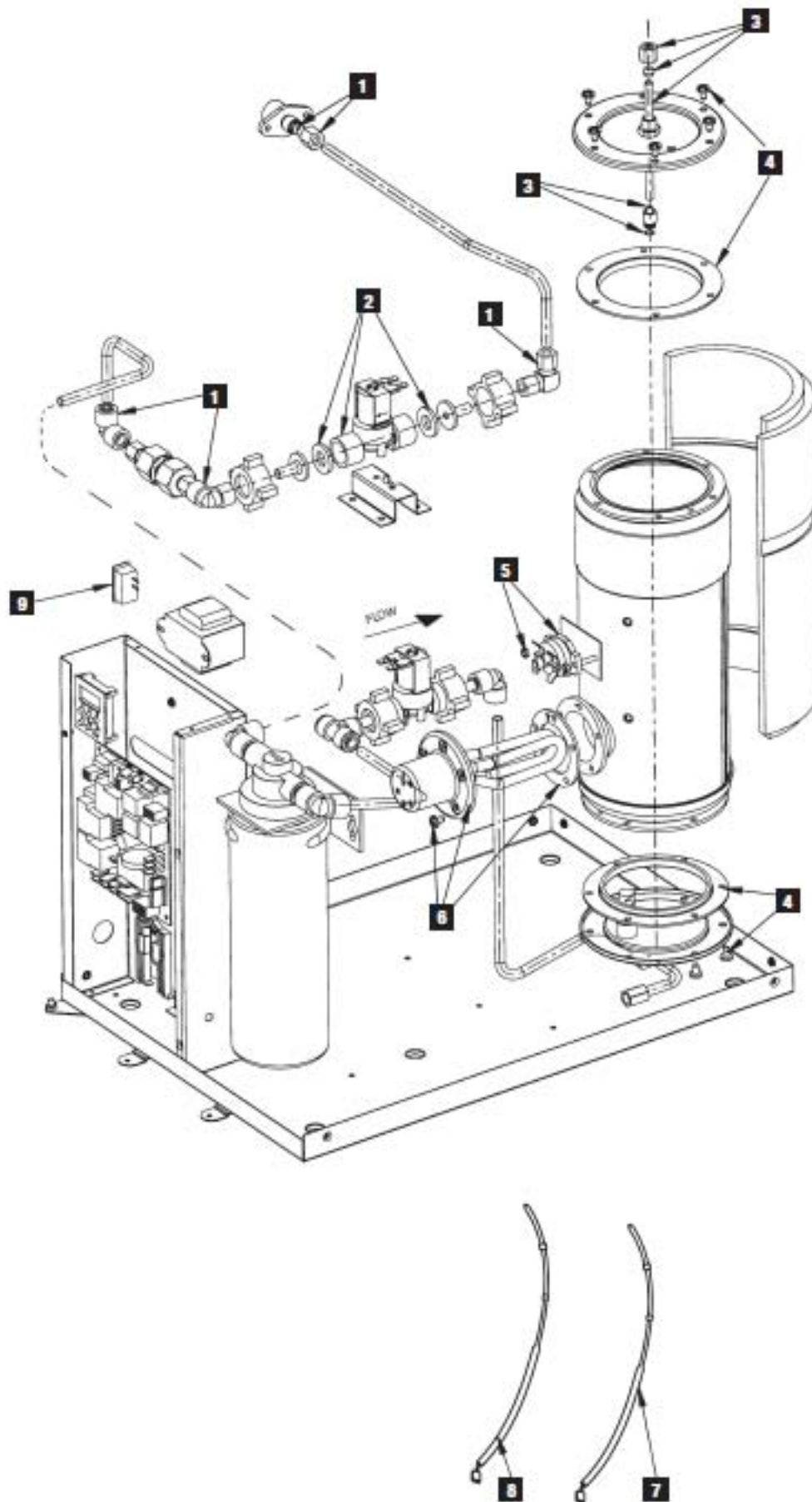
	99053	T/Tap To H/Tap Sink Adapter Kit
	99057	Zip HydroTap Tap-Font
	99065	Key Switch Assembly HydroTap

Replacement Filter Cartridges

	91240	Sub-Micron - Triple Action
	91241	Five Micron - Triple Action
	99048	Single Filter Head Assy
	90565	O'Ring Kit Filter Head 99048

Tap Conversion Kits ABC – BC

	90191	Tap Conversion Kit
	99254	Conversion box HT – ABC – BC



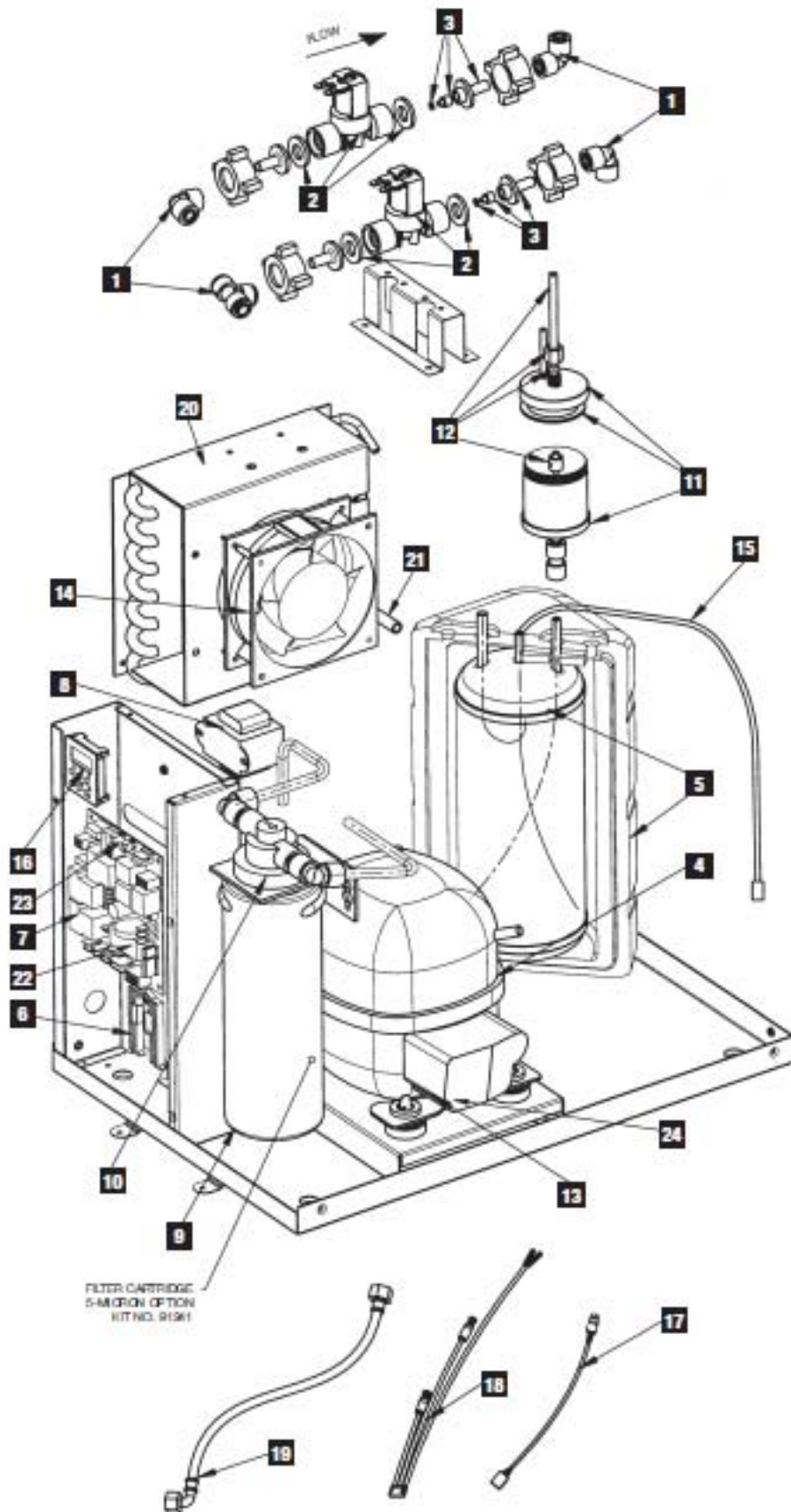
Item	Pt No.	Description
------	--------	-------------

Boiling Unit and Solenoid Parts

1	90084	Fittings Kit JG All-In-One
2	90079	Solenoid Valve Kit A-I-O
3	90027	Venturi Kit Hydrotap Tea Tap
4	90052	Gasket & Screw Kit HTB TT
5	90462	Overload Kit 2 Pole With Nuts
6	90356	Element Kit 1500w HTB
6	90357	Element Kit 2000w HTB
7	90071	Sensor Probe Kit Red ABC
8	90073	Sensor Probe Kit Orange ABC
9	90051	Fill Switch Kit Hydrotap HTB

Replacement Filter Cartridges

	91240	Sub-Micron - Triple Action
	91241	Five Micron - Triple Action
	99048	Single Filter Head Assy
	90565	O'Ring Kit Filter Head 99048



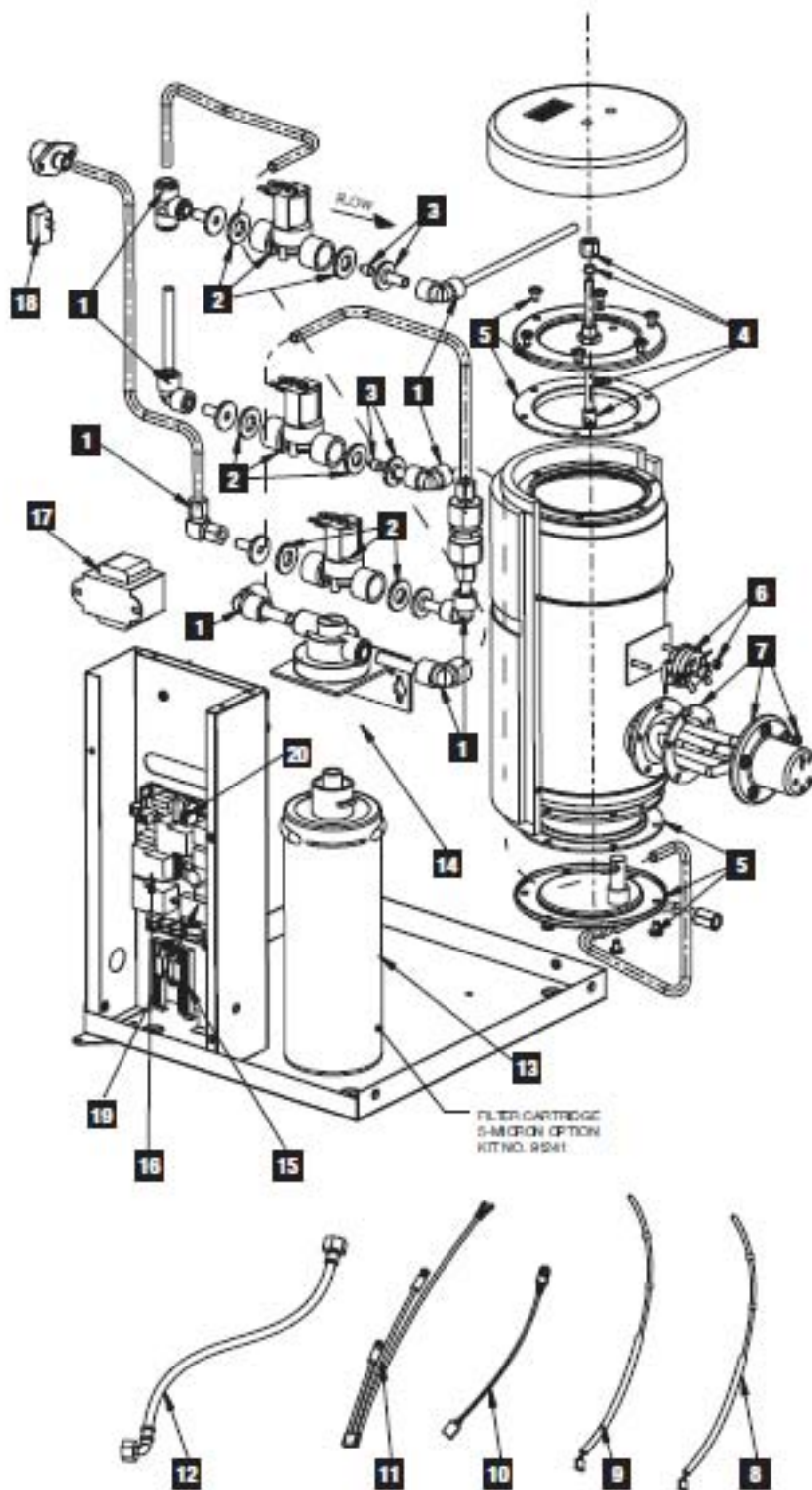
Item	Pt No.	Description
------	--------	-------------

Chilling Unit and Solenoid Parts

1	90084	Fittings Kit JG All-In-One
2	90079	Solenoid Valve Kit A-I-O
3	90078	Restrictor Kit All-In-One
4	90022	Compressor Kit Kirby AZ33
5	90028	Evaporator Kit 1/12HP to suit Kirby Compressor AZ33
6	90066	Level Sensor Kit A-I-O
7	90067	PCB Kit ABC Hydrotap
8	90057	Transformer Kit All-In-One
11	90077	Venturi Chamber Kit A-I-O
12	90074	Venturi Kit Chiller A-I-O
13	90091	Overload Kit 1/12HP to suit Kirby Compressor AZ33
14	90018	Fan Flex Motor Kit CT/HT30-60
15	90068	Sensor Probe Kit Blue ABC
16	90059	Timer Energy Saver Kit A-I-O
17	90065	Din Plug Loom Kit A-I-O
18	90058	Harness Wire Switch Kit A-I-O
19	90056	Hose Inlet Kit Flexible A-I-O
20	90013	Condensor&Cowl Kit 1/12HP suit Kirby Compressor AZ33
21	90442	Filter Dryer Kit CW All Models
22	90534	PCB Chip Kit ABC Version 2.0
23	90008	Qty 5 Fuse Kit PCB H/T A-I-O
24	90433	Relay Kit 1/12HP to suit Kirby Compressor AZ33

Replacement Filter Cartridges

9	91240	Sub-Micron - Triple Action
	91241	Five Micron - Triple Action
10	99048	Single Filter Head Assy
	90565	O'Ring Kit Filter Head 99048



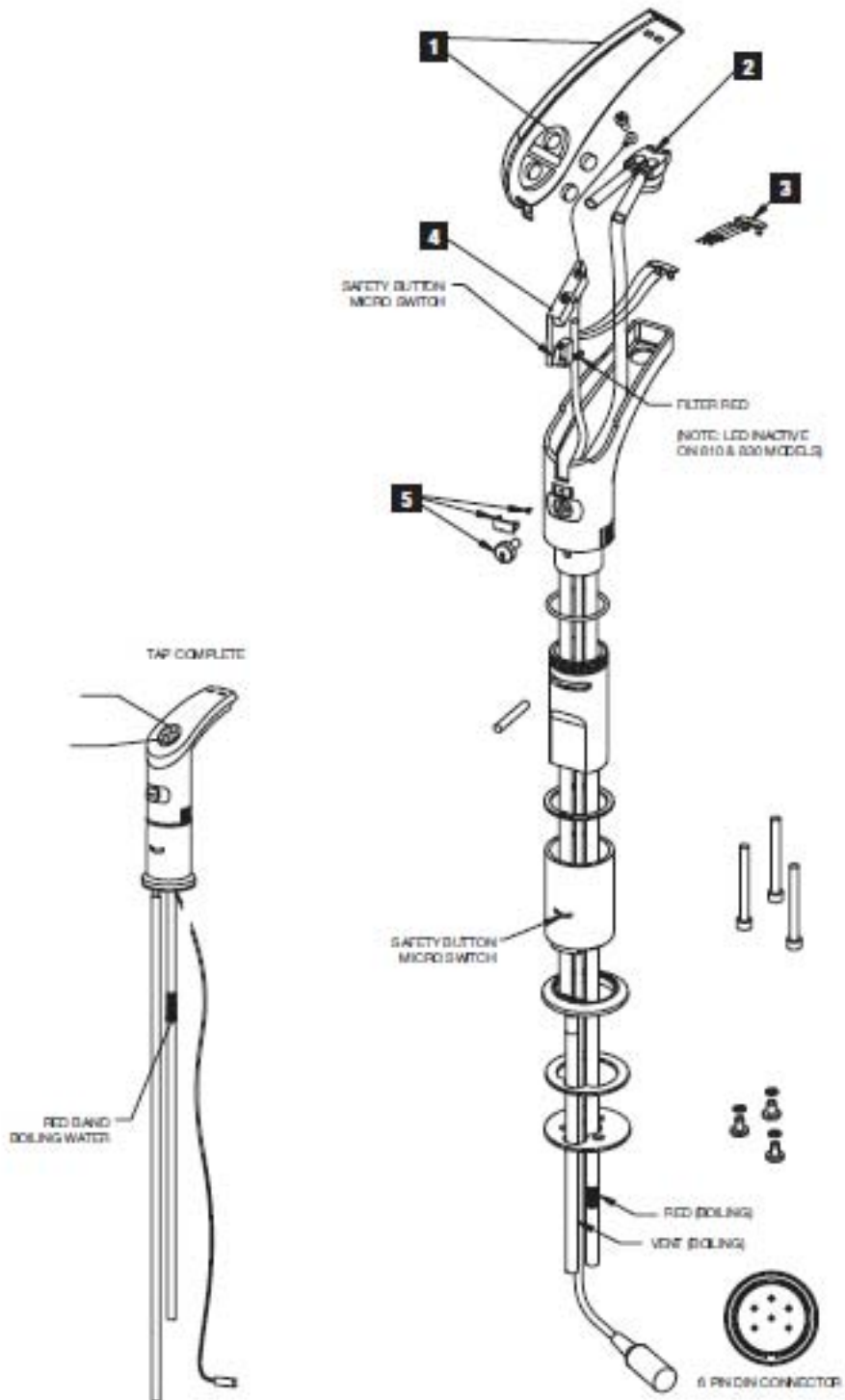
Item	Pt No.	Description
------	--------	-------------

Boiling Unit and solenoid parts

1	90084	Fittings Kit JG All-In-One
2	90079	Solenoid Valve Kit A-I-O
3	90078	Restrictor Kit All-In-One
4	90027	Venturi Kit Hydrotap Tea Tap
5	90052	Gasket & Screw Kit HTB TT
6	90462	Overload Kit 2 Pole With Nuts
7	90356	Element Kit 1500w HTB
7	90357	Element Kit 2000w HTB
8	90071	Sensor Probe Kit Red ABC
9	90073	Sensor Probe Kit Orange ABC
10	90065	Din Plug Loom Kit A-I-O
11	90058	Harness Wire Switch Kit A-I-O
12	90056	Hose Inlet Kit Flexible A-I-O
15	90066	Leak Sensor Kit
16	90067	PCB Kit ABC Hydrotap
17	90057	Transformer Kit All-In-One
18	90051	Fill Switch Kit Hydrotap HTB
19	90534	PCB Chip Kit ABC Version 2.0
20	90008	Qty 5 Fuse Kit PCB H/T A-I-O

Replacement filter cartridges

13	91240	Sub-Micron - Triple Action
	91241	Five Micron - Triple Action
14	99048	Single Filter Head Assy
	90565	O'Ring Kit Filter Head 99048



SERVICE NOTE:
WHEN INSERTING REPLACEMENT PCB,
TURN THE SAFETY BUTTON
TO THE DISENGAGED POSITION

Item	Pt No.	Description
------	--------	-------------

Head Assembly Electronic

90113	Tap complete chrome ABB & B
-------	-----------------------------

Head Assembly Parts

90034	Nozzle & Tubes Kit H/T Tap
-------	----------------------------

90060	Safety Button Covr & Screw Kit
-------	--------------------------------

90086	LED Replacement Kit Red/Amber
-------	-------------------------------

90112	Tap Top Kit Chr Boiling Only
-------	------------------------------

90114	Tap PCB Kit ABB & B H/Tap
-------	---------------------------

Accessories

99053	T/Tap To H/Tap Sink Adapter Kit
-------	---------------------------------

99057	Zip HydroTap Tap-Font
-------	-----------------------

99065	Key Switch Assembly HydroTap
-------	------------------------------

Replacement Filter Cartridges

91240	Sub-Micron - Triple Action
-------	----------------------------

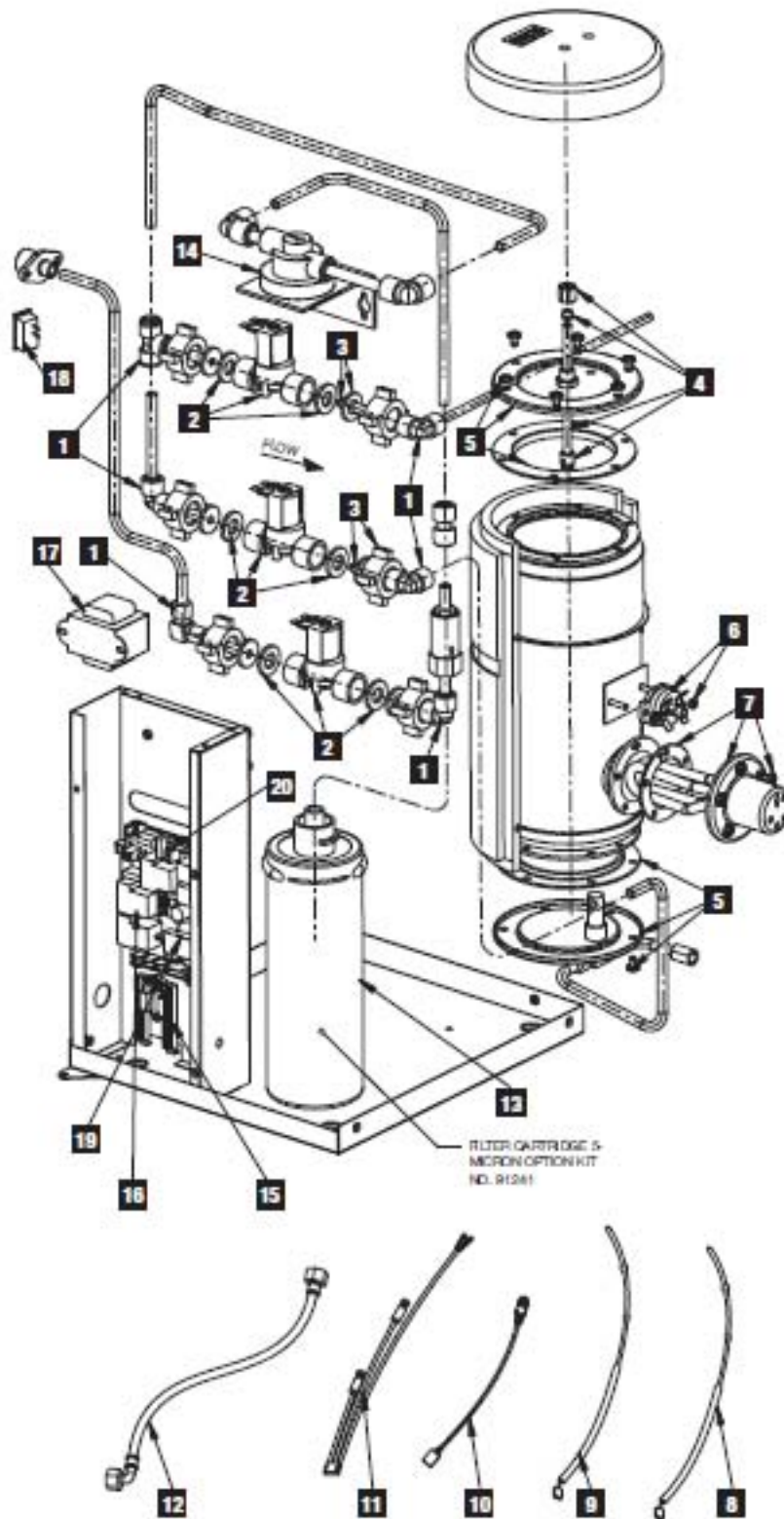
91241	Five Micron - Triple Action
-------	-----------------------------

99048	Single Filter Head Assy
-------	-------------------------

90565	O'Ring Kit Filter Head 99048
-------	------------------------------

Tap Conversion Kits

90192	Tap Conversion Kit
-------	--------------------



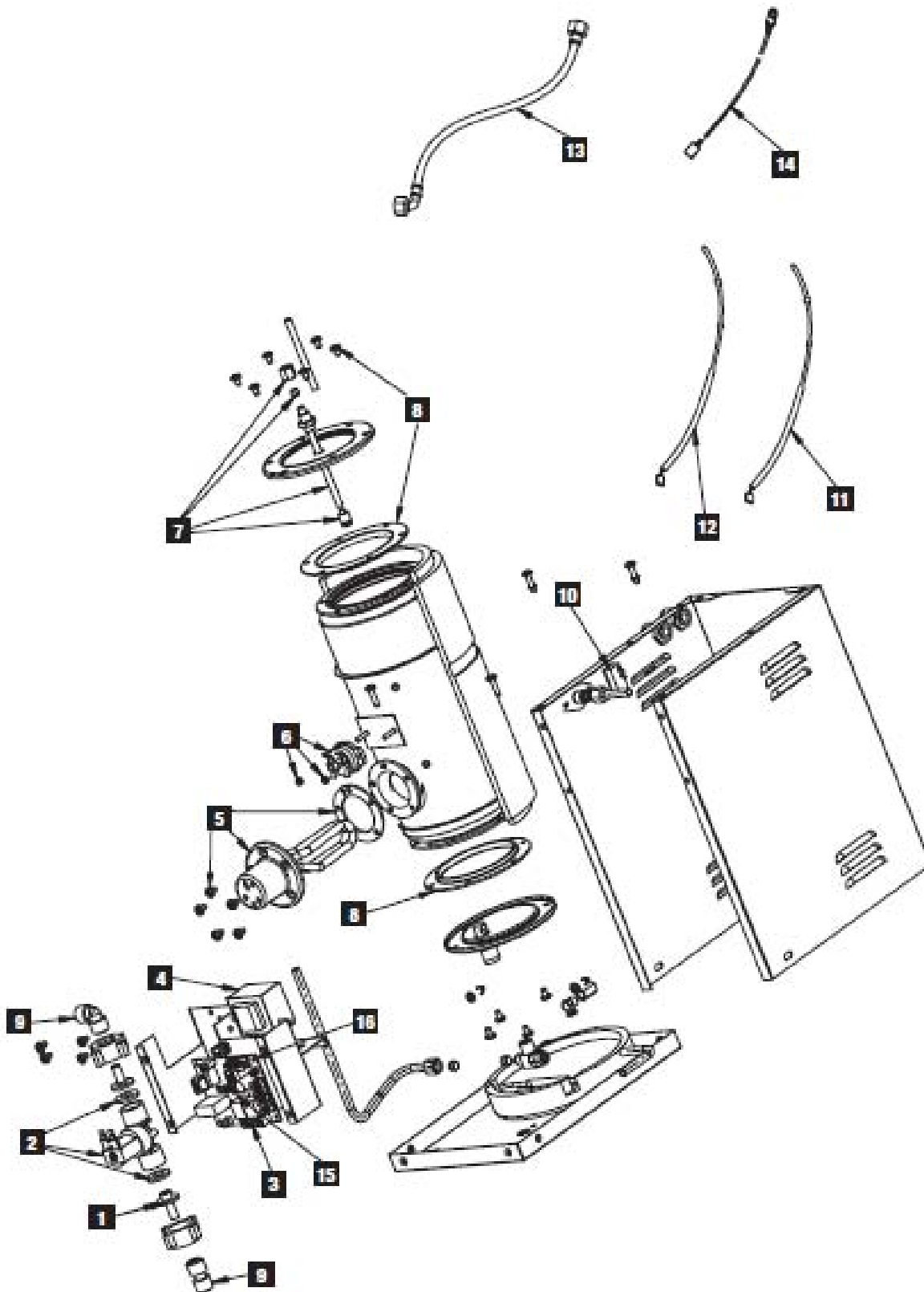
Item	Pt No.	Description
------	--------	-------------

Boiling Unit and Solenoid parts

1	90084	Fittings Kit JG All-In-One
2	90079	Solenoid Valve Kit A-I-O
3	90078	Restrictor Kit All-In-One
4	90027	Venturi Kit Hydrotap Tea Tap
5	90052	Gasket & Screw Kit HTB TT
6	90462	Overload Kit 2 Pole With Nuts
7	90356	Element Kit 1500w HTB
7	90357	Element Kit 2000w HTB
8	90071	Sensor Probe Kit Red ABC
9	90073	Sensor Probe Kit Orange ABC
10	90065	Din Plug Loom Kit A-I-O
11	90058	Harness Wire Switch Kit A-I-O
12	90056	Hose Inlet Kit Flexible A-I-O
15	90066	Level Sensor Kit A-I-O
16	90129	PCB Kit ABB & B Hydrotap
17	90057	Transformer Kit All-In-One
18	90051	Fill Switch Kit Hydrotap HTB
19	90535	PCB Chip Kit ABB Version 1.2
20	90008	Qty 5 Fuse Kit PCB H/T A-I-O

Replacement filter cartridges

13	91240	Sub-Micron - Triple Action
13	91241	Five Micron - Triple Action
14	99048	Single Filter Head Assy
	90565	O'Ring Kit Filter Head 99048



Boiling Unit and Solenoid Parts

Item	Pt No.	Description
1	90078	Restrictor Kit All-In-One
2	90079	Solenoid Valve Kit A-I-O
3	90129	PCB Kit ABB & B Hydrotap
4	90057	Transformer Kit All-In-One
5	90356	Element Kit 1500w HTB
6	90462	Overload Kit 2 Pole With Nuts
7	90027	Venturi Kit Hydrotap Tea Tap
8	90052	Gasket & Screw Kit HTB TT
9	90084	Fittings Kit JG All-In-One
10	90051	Fill Switch Kit Hydrotap HTB
11	90087	Sensor Probe Kit Red B10-30
12	90088	Sensor Probe Kit Orange B10-30
13	90056	Hose Inlet Kit Flexible A-I-O
14	90065	Din Plug Loom Kit A-I-O
15	90535	PCB Chip Kit ABB Version 1.2
16	90357	Element Kit 2000w HTB
	90008	Qty 5 Fuse Kit PCB H/T A-I-O

**Zip Tea tap Model TT6 up to 1997,
Zip Tea Tap Models TT12 - TT60 up to 1997
Zip Tea Tap Models TT10F - TT60F from 1997 to June 1999**

Item Kit No. Description

Tea Tap Model TT6 up to 1997

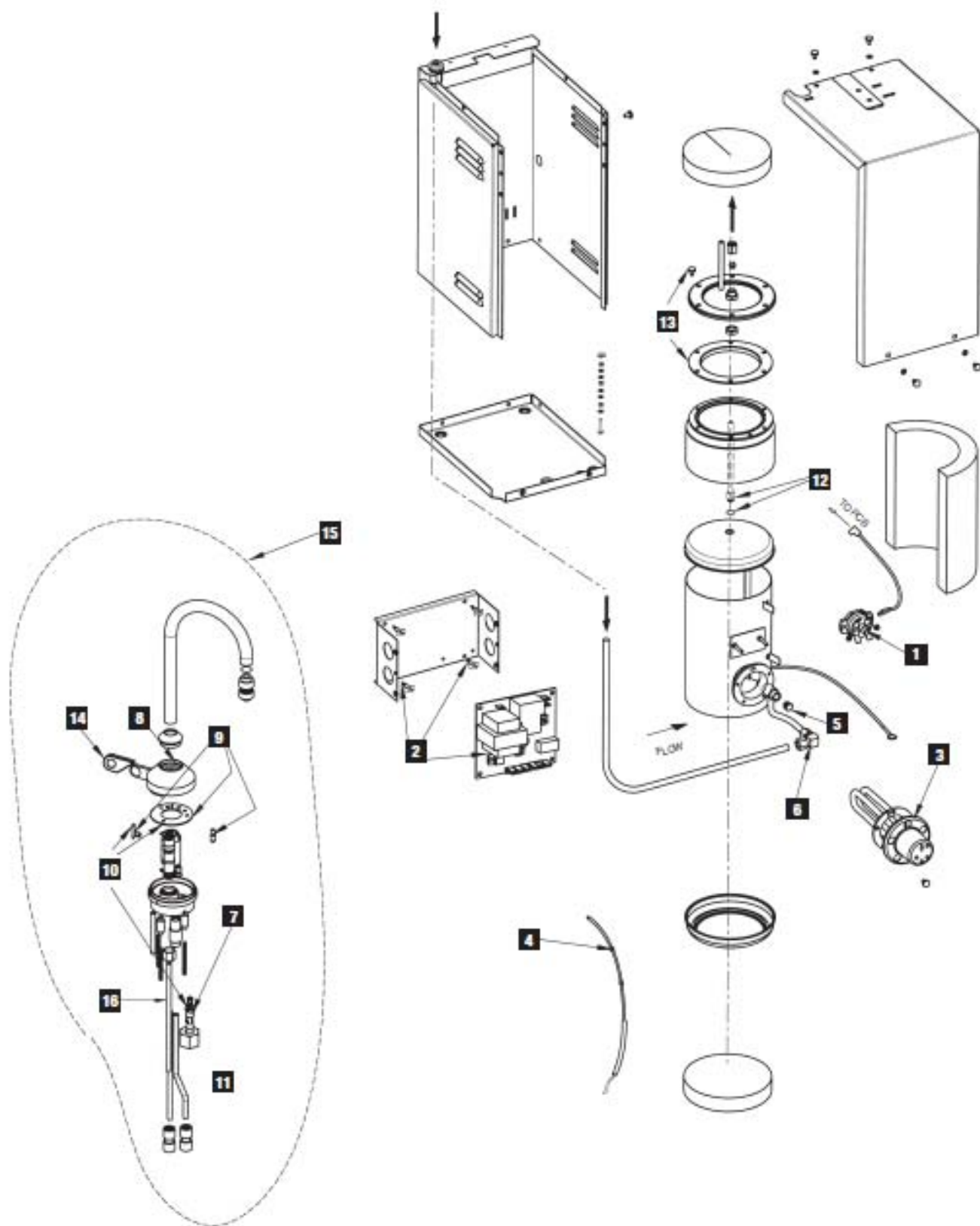
1	90043	Overload Kit 1 Pole With Nuts
7	90205	Jumper Valve Kit Tea Tap
8	90208	O Ring Kit Tea Tap
9	90209	Mounting Plate Kit Tea Tap
10	90210	Repair Kit Tea Tap
	90176	Element Nut Kit Plated MB
	90206	Thermostat Kit Tea Tap - TT6
	90207	Element Kit Tea Tap TT6 1600w

Tea Tap Models TT12 -TT60 up to 1997

	90169	Element Kit 2400w 4 Stud 8 "
	90275	Micro Temp Kit TT12/30/60 Wiffen
	90276	Handle Assy Kit Spring Load TT
	90277	Element Kit 2400w Computerised
	90458	PCB Kit TT12/30/60 Wiffen

Tea Tap Models TT10F - TT60F from 1997 to June 1999

1	90043	Overload Kit 1 Pole With Nuts
2	90044	PCB Kit & Stand Offs H/Tap HTB
3	90356	Element Kit 1500w HTB
3	90357	Element Kit 2000w HTB
4	90475	Sensor Probe Kit Boiling Units
5	90047	Drain Plug Kit HTB Tea Tap
6	90450	Elbow Kit T/T 1/4x5/16 DR Brass
7	90205	Jumper Valve Kit Tea Tap
8	90208	O Ring Kit Tea Tap
9	90209	Mounting Plate Kit Tea Tap
10	90210	Repair Kit Tea Tap
11	90212	Fittings & Tubes Kit Tea Tap
12	90027	Venturi Kit Hydrotap Tea Tap
13	90052	Gasket & Screw Kit HTB TT
24	90411	Tea Tap Handle Cover Kit
15	90427	Tea Tap Head Assy Kit Complete
16	90546	Tea Tap Inlet & Nozzle Assy



Item	Kit No	Description
1	90043	Overload Kit 1 Pole With Nuts
2	90432	PCB & Standoff Kit Tea Tap
3	90356	Element Kit 1500w HTB
3	90357	Element Kit 2000w HTB
4	90475	Sensor Probe Kit Boiling Units
5	90047	Drain Plug Kit HTB Tea Tap
6	90450	Elbow Kit T/T 1/4x5/16 DR Brass
7	90205	Jumper Valve Kit Tea Tap
8	90208	O Ring Kit Tea Tap
9	90209	Mounting Plate Kit Tea Tap
10	90210	Repair Kit Tea Tap
11	90212	Fittings & Tubes Kit Tea Tap
12	90027	Venturi Kit Hydrotap Tea Tap
13	90052	Gasket & Screw Kit HTB TT
14	90411	Tea Tap Handle Cover Kit
15	90427	Tea Tap Head Assy Kit Complete
16	90546	Tea Tap Inlet & Nozzle Assy