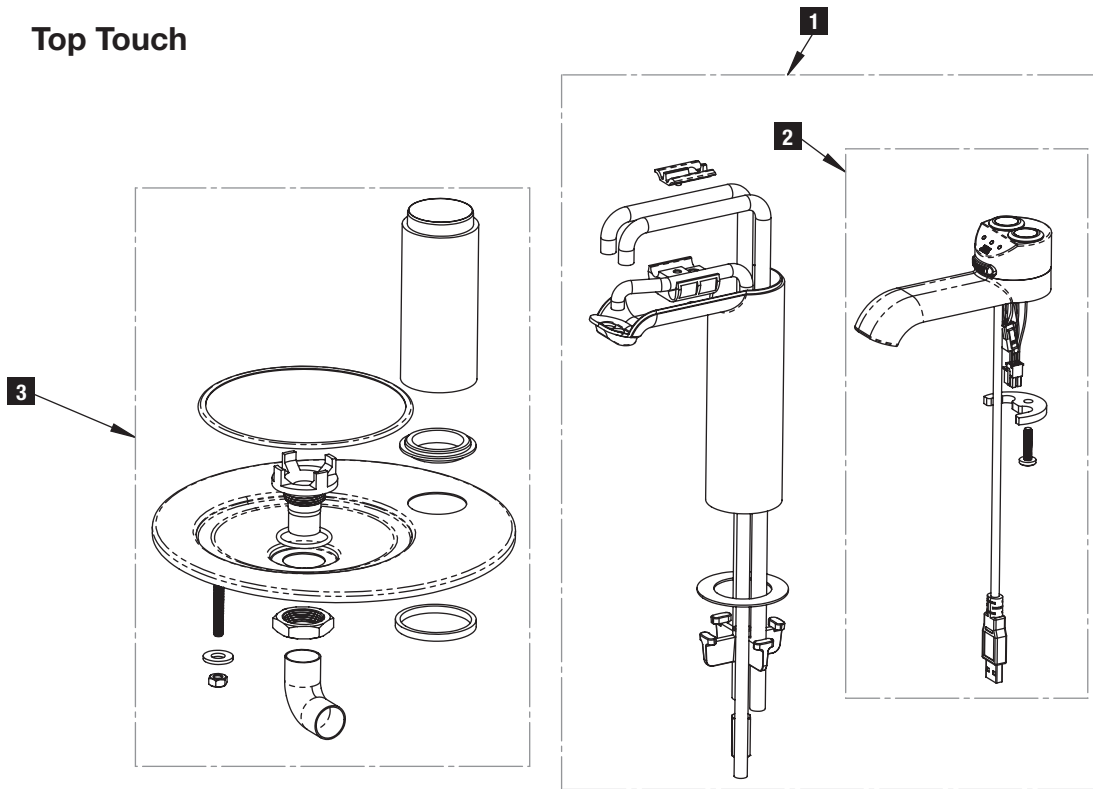
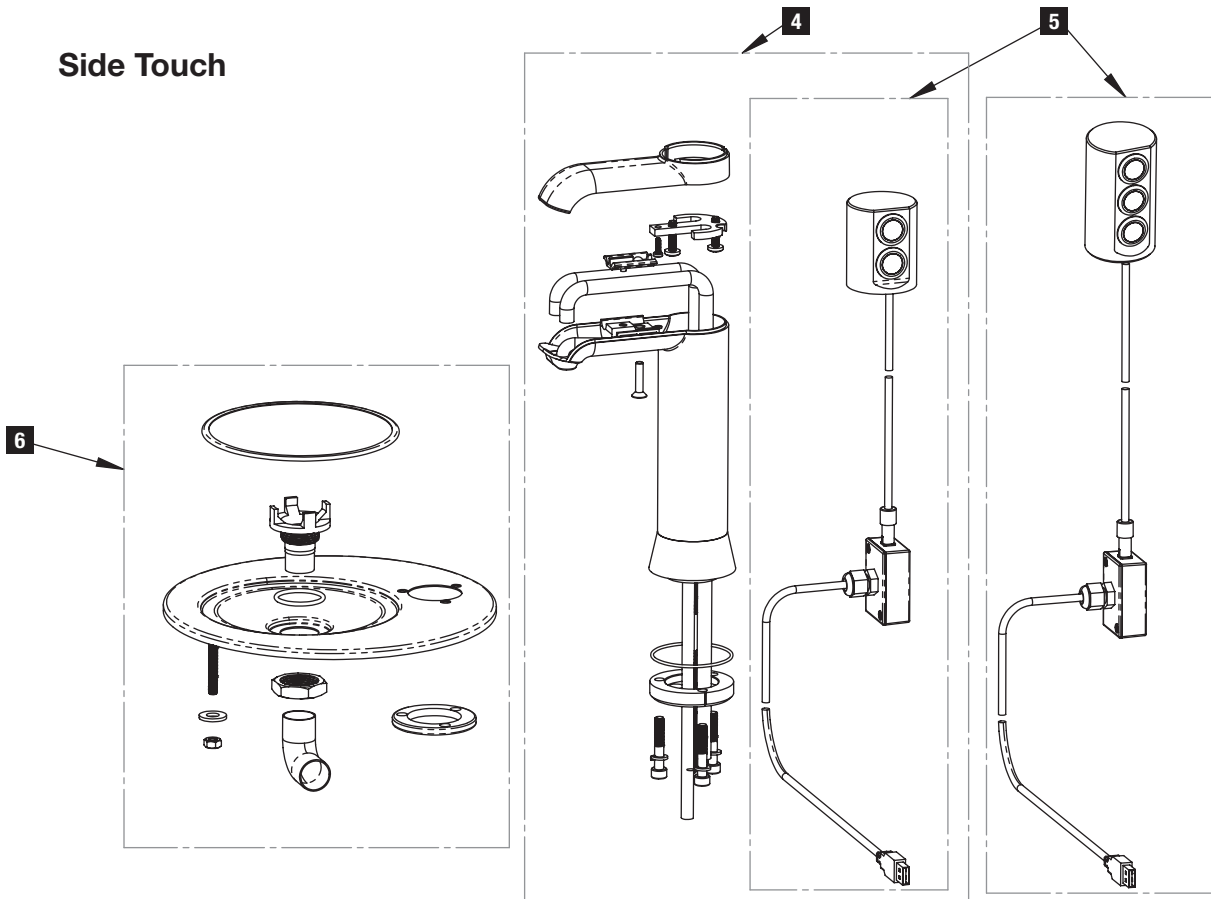


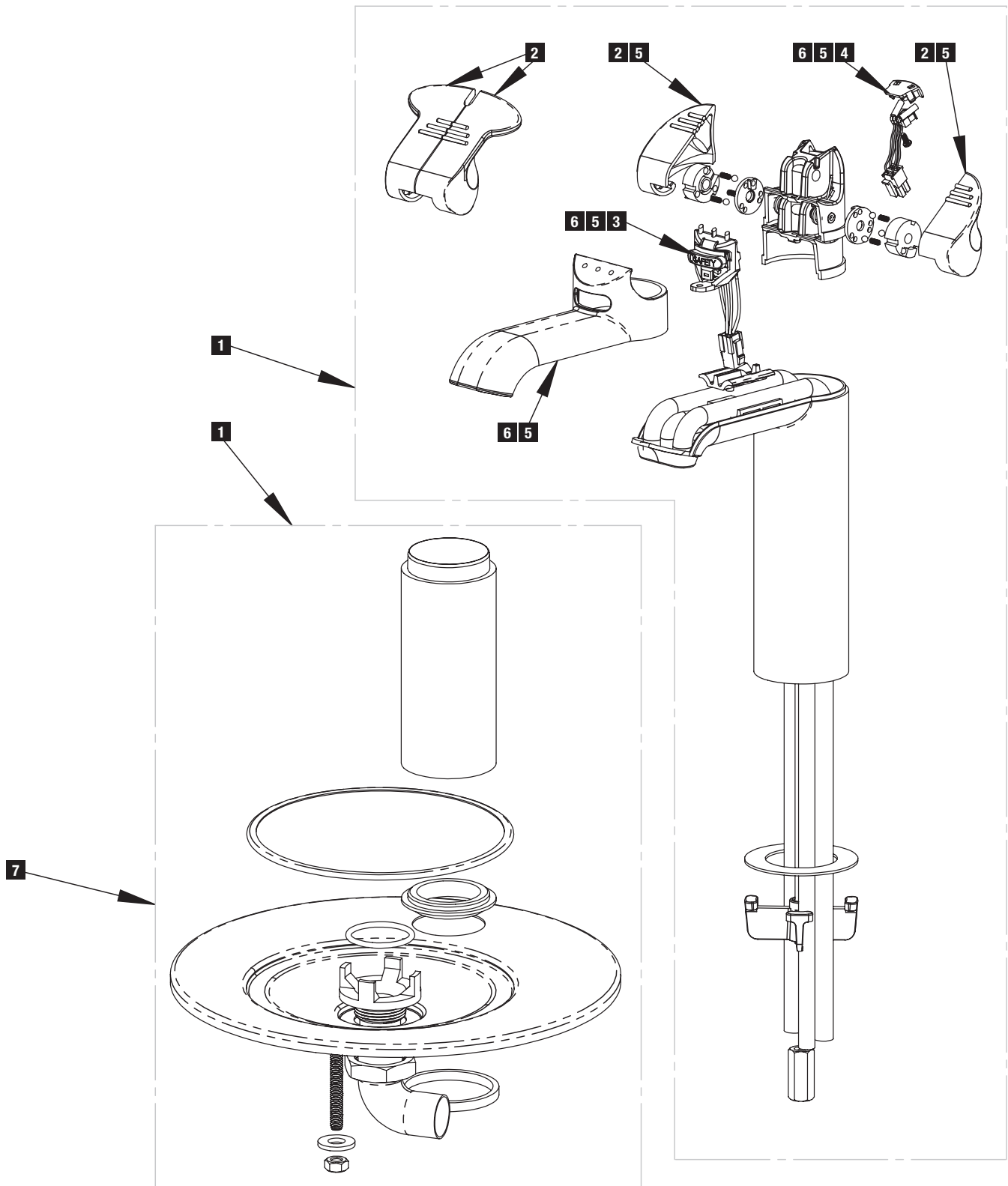
Top Touch



Side Touch



Item	Kit No	Description
1	90887	Industrial Top-Touch BC Tap Kit
1	90912	Industrial Top-Touch BO Tap Kit
2	90942	IT Tap Top Assy Kit BC
2	90944	IT Tap Top Assy Kit Bo
3	90046	HydroTap Font Assy Kit
4	90884	IS Touch Tap BC-2 Button RED/BLUE
4	90911	IS Touch Tap BO-2 Button RED/RED
4	90886	IS Touch Tap BC+Safety Button
4	90834	Tap Conversion Kit BC 2-Button
4	90835	Tap Conversion Kit BC 3-Button
5	90936	IS Tap Head Kit BC RED/BLUE
5	90937	IS Tap Head Kit BO RED/RED
5	90938	IS Tap Head Kit BC + Safety Button (3 buttons)
6	90869	Font Kit- IS Touch Tap



Zip Hydrotap Model B, BF, BC tap Unit from April 2004

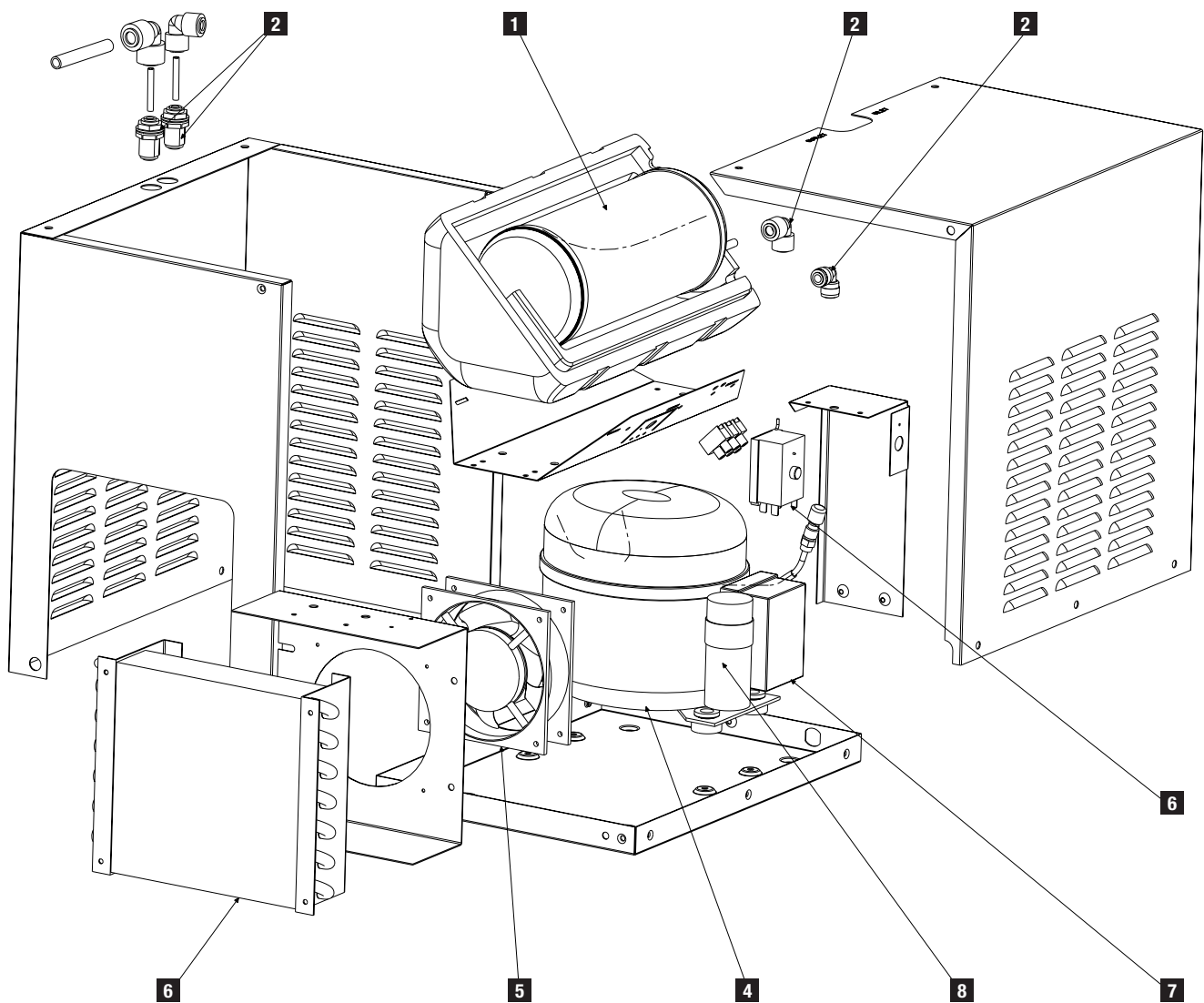
Item	Part No.	Description
1	90648	Standard Tap Assy Boiling/Chilled
1	90649	Disabled Tap Assembly Boiling/Chilled
1	90653	Standard Tap Assembly Boiling Only
1	90654	Disabled Tap Assembly Boiling Only
1	90672	Standard Tap Assembly Boiling/Ambient
1	90673	Disabled Tap Assembly Boiling/Ambient
1	90193	Standard Tap Assy, Chilled only
2	90674	Tap Handle Kit Disabled Boiling/Ambient
2	90675	Tap Handle Kit Disabled Boiling/Chilled
2	90676	Tap Handle Kit Standard Boiling/Chilled
2	90677	Tap Handle Kit Standard Boiling/Ambient
2	90678	Tap Handle Kit Standard Boiling Only
2	90679	Tap Handle Kit Disabled Boiling Only
3	90645	PCB & Lead Assy Kit
3	99169	Safety button and light pipe kit
4	90800	ReedSwitch Sub-Assy Kit
5	99142	H/Tap BC Tap Chrome Head Assy
6	99189	H/Tap Tap Chrome Head Assy For BC, BO, BAmb, C HTaps
7	90046	Hydrotap Font Assembly Kit
	90647	Spring and clutch assy
	99252	Flow restrictor
	90792	B/A Tap Top assy
	90026	Tap extension 100mm
	90680	H/Tap tube 1.5m & Instr kit
	90832	B/A Hose Kit (JG)
	99052	Sink Adaptor Kit-New HydroTap

Part numbers for standard tap kits with coloured finishes:

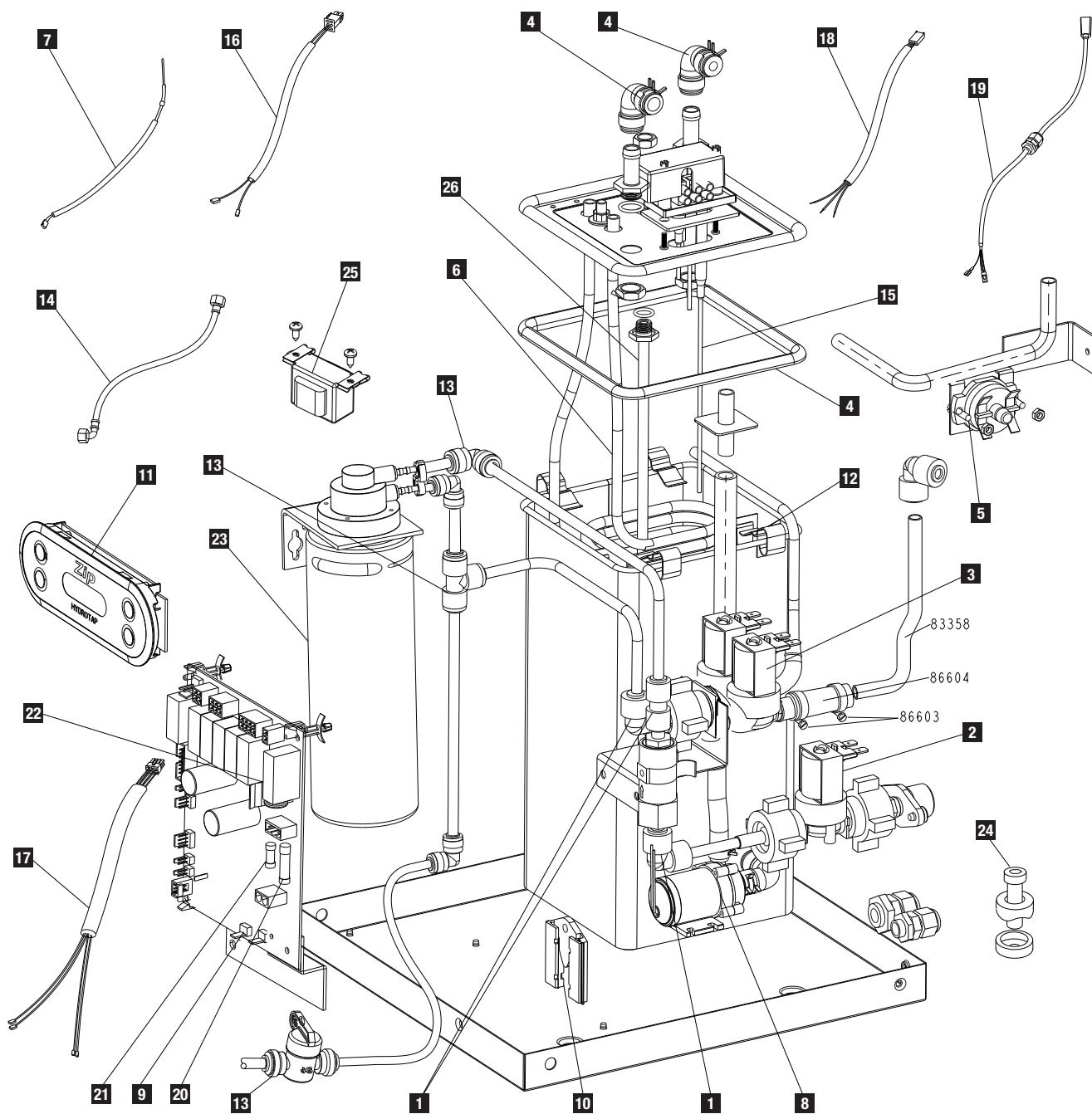
	Chrome Plated	Brush Finish	Black Chrome	Gold Plated
Kit BC Tap Assembly	90648	90865	90877	90878
Kit BO Tap Assembly	90653	90866	90890	90891
Kit B/Ambient Tap Assembly	90672	90893	90894	90895
Kit Chilled Only Tap Assembly	90193	90897	90898	90899

Font Spare Part kits with coloured finishes:

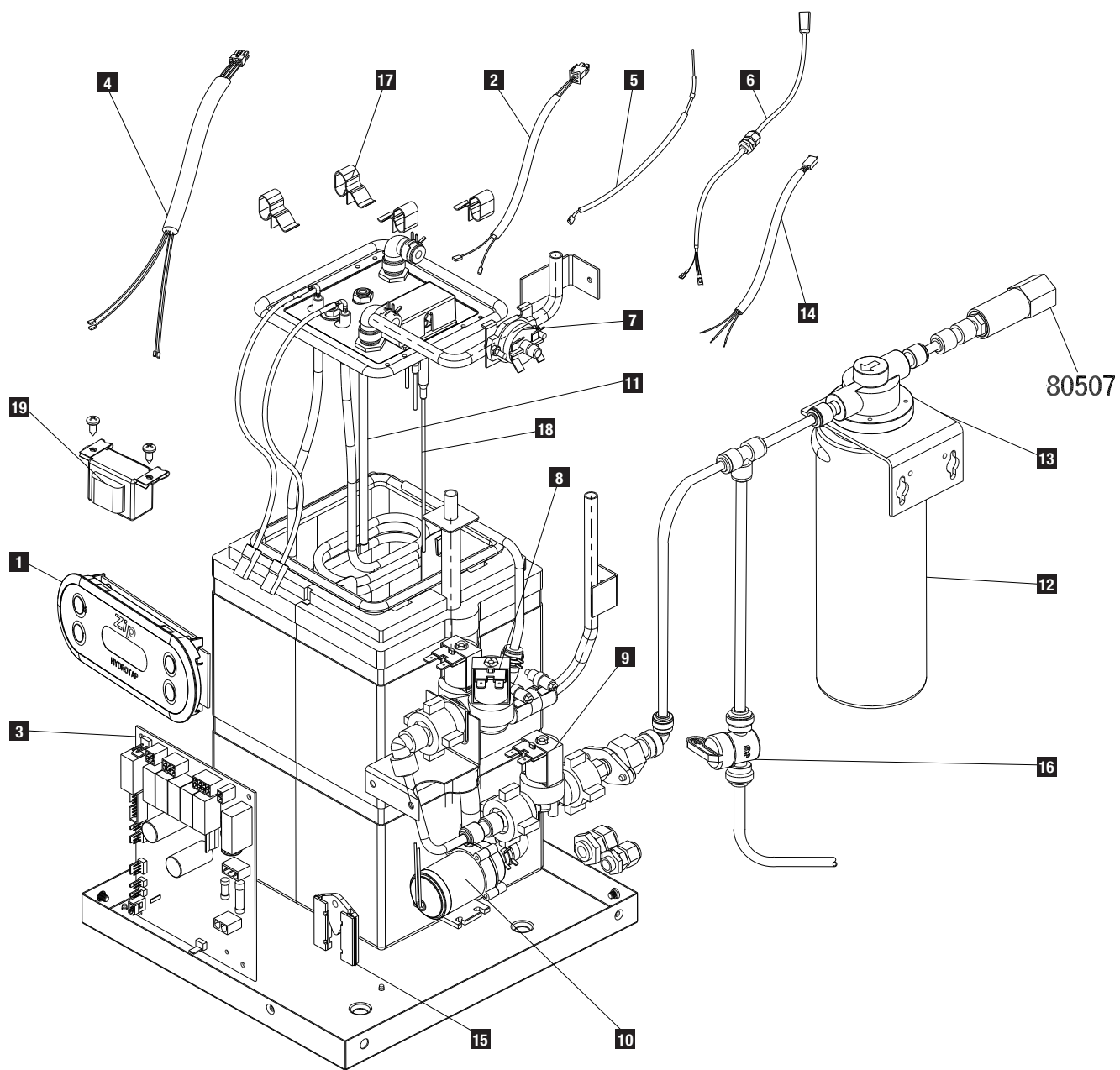
	Chrome Plated	Brush Finish	Black Chrome	Gold Plated
Font Kits	90046	90870	90871	90918



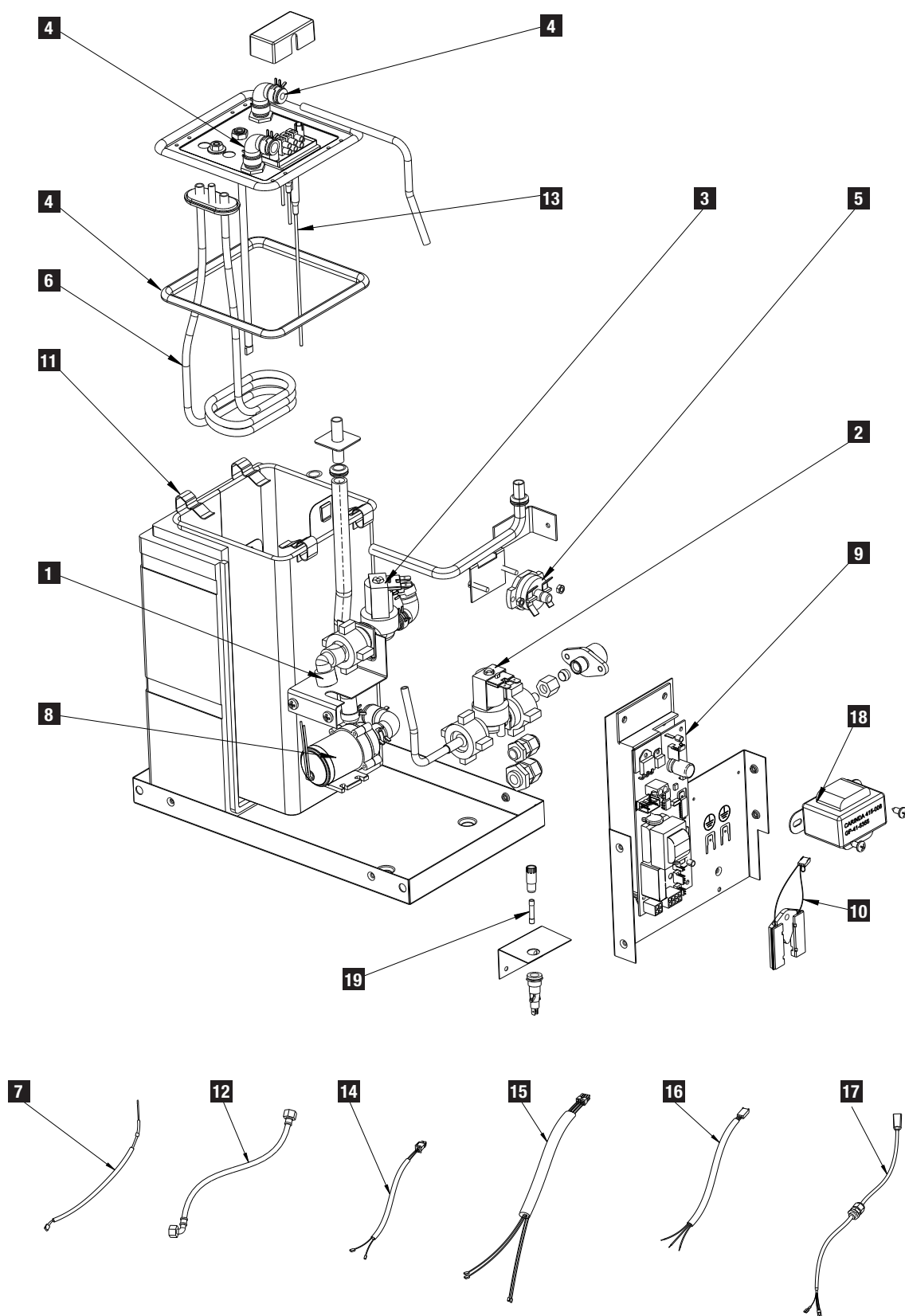
Item	Kit No.	Description
1	90729	Evaporator Assy
2	90730	Fittings kit
3	90731	Thermostst kit
4	90637	Compressor Kit
5	90018	Fan & Motor kit
6	90013	Condensor kit
7	90636	Relay kit
8	90437	Capacitor kit
	23040	Conversion kit (for item 2)



Item	Kit No.	Description
1	90656	Plumbing & Fittings Kit
2	90614	Safety Solenoid Kit
3	90615	Double Solenoid Kit
4	90658	Gasket & Elbow Kit 100/125
5	90579	Overload Kit
6	90618	Element 1500W Kit
6	90619	Element 1800watt
7	90620	Sensor Probe - Hot
8	90790	12V Dc Pump Kit
8	90788	Replacement 3L Tank & Pump
8	90789	Replacement 5L Tank & Pump
9	90668	Pcb - Boiling Ambient
10	90624	Leak Sensor Kit
11	90625	Control Panel Kit
12	90130	Clips Kit
13	90628	Stop Valve & Jg Fittings Kit
13 A	90717	Filter Fittings Kit HT60/85,HT85
14	90056	Flexible Inlet Hose Kit
15	90629	Level Sensor Kit -Hot 100/125
15 A	90690	Level Sensor kit HTap 60/85
15 B	90630	Level Sensor kit HTap 150/175
16	90186	Loom - Overload Kit
17	90661	Loom - Solenoids Kit
18	90189	Loom - Level Sensor Kit Hot
19	90190	Loom & Gland - Pcb To Tap
20	90671	Fuse - 3Ag 10 Amp
21	90670	Fuse - 2Ag 10 Amp
22	90669	Fuse - 2Ag 1 Amp
23	90241	Filter Cartridge Kit
24	90041	35mm Dia Chassis Punch
25	90791	Transformer 12V Dc Pump
26	90820	Pocket For Ntc 3 Lt Tank
26 A	90821	NTC Pocket Kit 5L Hot Tank BC
	88375	Double N.R.V
	90846	Acetyl Nut Kit



Item	Kit No	Description
1	90625	Control Panel Kit
2	90186	Loom Overload Kit
3	90668	Pcb Kit Boiling Ambient
4	90661	Loom Solenoids Kit
5	90620	Sensor Probe Kit Hot
6	90190	Loom-Gland Main Pcb To Tap
6	90619	Element 1800 Watt Kit
7	90579	Overload Kit
8	90694	Double Solenoid Kit Ba
9	90614	Safety Solenoid Kit
10	90790	12V Dc Pump Kit
10	90788	Replacement 3L Tank And Pump Kit
10	90789	Replacement 5L Tank And Pump Kit
11	90618	Element Kit 1500W
11 A	90619	Element Kit 1800W Htap Hot Tank BC150/175, BO150
12	91241	Cartridge-Five Micron Kit
13	99048	Filter Head Kit
14	90189	Loom-Level Sensor Kit Hot
15	90624	Leak Sensor Kit
16	90628	Stop Valve & John Guest Fittings Kit
17	90130	Clips Kit
18	90690	Level Sensor Kit 60/85
18	90629	Level Sensor Kit 3Lt Hot tank
18	90630	Level Sensor Kit 5Lt Hot tank
19	90791	Transformer Kit 12V Dc Pump
	90656	O ring kit for filter head
	90846	Acetyl Nut Kit



Item	Kit No.	Description
1	90656	Plumbing and fittings kit
2	90614	Safety Solenoid Kit
3	90657	Single Solenoid Kit
4	90658	Gasket and Elbow Kit BC 100/125
5	90579	Overload Kit
6	90618	Element 1500 Watt Kit
7	90620	Hot Sensor Probe
8	90790	12V DC pump Kit
9	90689	PCB Kit Boiling Only
10	90624	Leak Sensor Kit
11	90130	Clips Kit
12	90056	Flexible Inlet Hose Kit
13	90690	Level Sensor Kit Hot Tank - HT 60/85
14	90186	Loom - Overload Kit
15	90661	Loom - Solenoids Kit
16	90189	Loom - Hot level Sensor Kit
17	90190	Loom and Gland Main PCB to Tap
18	90791	Transformer Kit 12V DC Pump
19	90827	16A Fuse Kit (European Models Only)
	90846	Acetyl Nut Kit